

BORA®



CATALOG

WWW.BORATOOL.COM



BORA was founded in 2006, spurred on by the idea of creating a clamping straight edge that would allow effortless straight cuts on sheet goods. Our goal was simple - - make a tool that made the job easier and faster without compromising the results. And so, we did. The Clamp Edge was made and BORA was born.

Over the years as our product lines have grown, our mantra has remained the same: create innovative tools that simplify tasks and deliver professional results. And by doing so, enable our users to increase productivity and expand not only their capabilities, but their workspaces as well. Because at BORA, we know that unless our tools are helping people complete projects faster and safer with better end results, we're not doing our job.

From our Work Stands, Saw Horses, and Mobile Bases that offer the very best option for workspace mobility and flexibility, to our Saw Guides and Shop Accessories that provide efficiency and functionality for a wide variety of projects, BORA's tools have been designed to endure the long days on the jobsite, at the workshop, or in your garage.

So, whether you're a professional, DIY enthusiast, craftsman, or hobbyist we have the tools you need to get the job done.

TABLE OF CONTENTS

Saw Horses.....	4-5
Centipede Work Benches.....	6-9
NGX Clamp Edge System.....	10-13
Meet the Maker.....	14-15
Miter Saw Stands.....	16-17
Wall Racks.....	18
Rollers and Router.....	19
Panel Carrier and Clamps.....	20-21
Mobile Bases.....	22-23

The ultimate upgrade for your job site, workspace, or workshop.



Is your horse built for speed?

Speedhorse™ PM-4500

The world's fastest sawhorse. 1500 lbs. (680kg) weight capacity per unit — 200 lbs. more than the leading competitors.



SET UP IN
1.6
SECONDS



Best-in-class weight capacity

Longer, pre-drilled top



Quick-deploy and quick-collapse legs

Non-sequential leg folding



Speedhorse™ XT with Adjustable Legs PM-4550

All the benefits and features of our signature PM-4500 Speedhorse™ with the added ability to extend the legs up to 6 inches. Adjust from 30 inches to 36 inches in 1 inch increments.



All-Terain Sawhorse PM-4520

Get to work with STABLZ™ Tap to Adapt™ Technology, featuring a patented, game-changing vertical support that adapts easily to any surface. A simple tap of the foot gives you four points of contact on any terrain. 750 lbs. (340kg) weight capacity per unit.



Steel Heavy-Duty Folding Sawhorse PM-3300

Ideal for woodworkers and DIYers of all skill levels. 500 lbs. (227kg) weight capacity per unit.

Instantly create a moveable custom workspace that's lightweight, portable, and durable.



Just throw it and go!

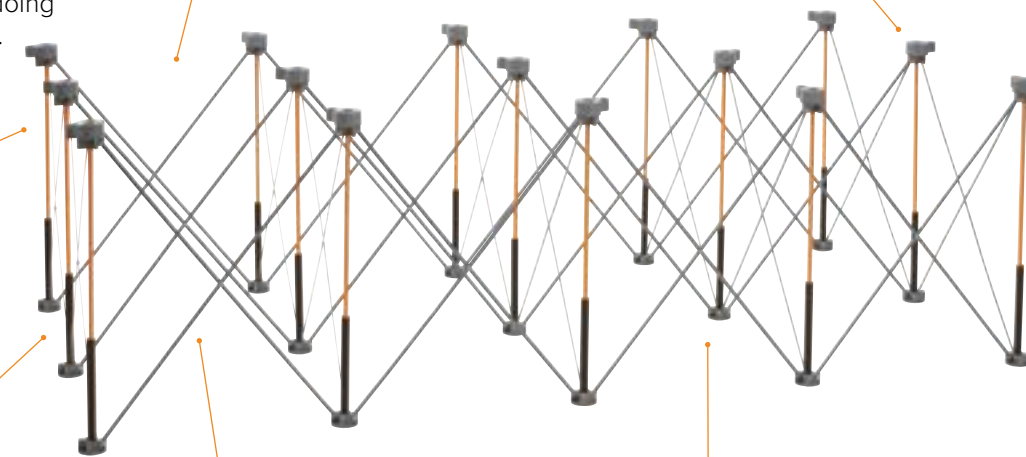
Centipede 4' x 8' Workstand CK15S

Today's workspace needs to be flexible. Centipede allows you to change locations and setups to suit the task at hand. Whether you are on the job or in the workshop, you will have the support needed to get the job done while doing your best work. 30" working height. 6000 lbs. (2722kg) weight capacity.

Ready to use right out of the box

Patented P-Tops will not mark your projects or let saw blades damage the struts

Compact fold up design for easy transport



Instant set-up and tear down

Heavy duty steel struts

Available in multiple sizes to fit your needs



Centipede 2' x 4' Workstand CK6S

2500 lbs. (1134kg) weight capacity.



Centipede 4' x 4' Workstand CK9S

3500 lbs. (1588kg) weight capacity.



Centipede 4' x 6' Workstand CK12S

4500 lbs. (2401kg) weight capacity.



Workbench Top with Dog Holes CK22T

2 ft x 4 ft 3/4 in. MDF top with standard 3/4 in. dog holes.



Workbench Top CK22N

2 ft x 4 ft 3/4 in. MDF plain top.

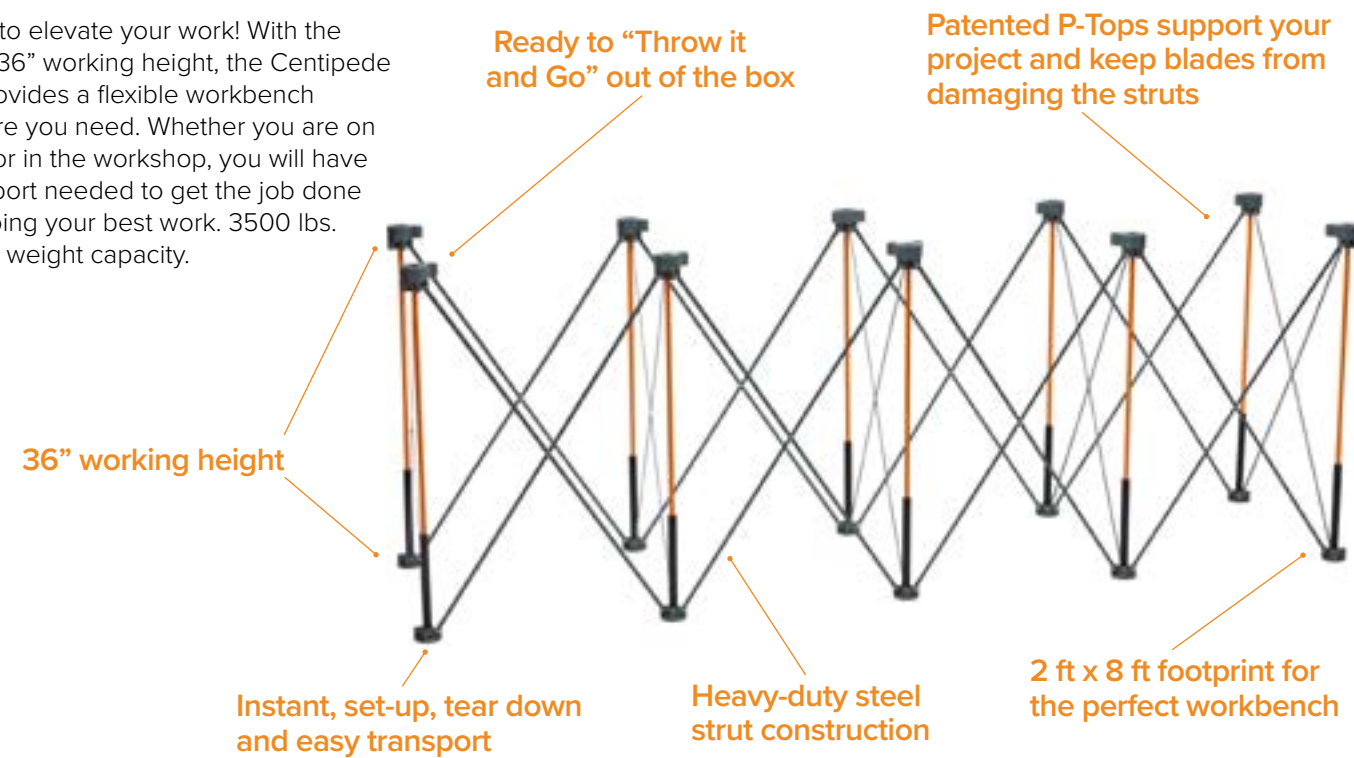


SKU	Description
CK22TM	Workbench Top - 20mm dog holes

Its time to elevate your work.

Centipede 4' x 8' Workstand CT10

It's time to elevate your work! With the optimal 36" working height, the Centipede CT10 provides a flexible workbench anywhere you need. Whether you are on the job or in the workshop, you will have the support needed to get the job done while doing your best work. 3500 lbs. (1588kg) weight capacity.



Centipede 2' x 4' Workstand CT6

36" working height.
2500 lbs. (1134kg) weight capacity.



Centipede 2' x 4' Workstand CT9

36" working height.
3500 lbs. (1134kg) weight capacity.



Centipede 2' x 4' Workstand CT12

36" working height.
4500 lbs. (1134kg) weight capacity.



Centipede 2' x 4' Workstand CT15

36" working height.
6000 lbs. (1134kg) weight capacity.



Centipede Carry Bag

SKU	Description
CC0100	Carry Bag, up to 6S
CC0200	Carry Bag, up to 15S



Workbench Top Carry Bag

B-CK22T

For us with CK22T and
CK22N workbench tops.



Universal Carry Strap

CC0001



2x4 Bracket CA0202



Hooks CA0402



Quick Clamps CA0302



6" Risers CA0506



Non-Slips CA0606



Bench Dog T-Slot Connector CA0704



Wide Panel Support CA0804



Double P-Top CA0902

What's Included

SKU	Description
CK6S	Centipede 2' x 4' Unit, (4) 2x4 X Brackets, (2) Quick Clamp, Carry Bag
CK9S	Centipede 4' x 4' Unit, (4) 2x4 X Brackets, (4) Quick Clamps, Carry Bag
CK12S	Centipede 4' x 6' Unit, (4) 2x4 X Brackets, (4) Quick Clamps, Carry Bag
CK15S	Centipede 4' x 8' Unit, (4) 2x4 X Brackets, (4) Quick Clamps, Carry Bag
CTC6	Centipede 2' x 4' x 36in Unit, (4) 2x4 X Brackets, 2 Clamps, Carry Bag
CK22T	Centipede Table Top - Pair - 3/4" Dog Holes, (4) Bench Dogs
CT22N	Centipede Table Top - Pair - Plain, (4) Bench Dogs
CK22TM	Centipede Table Top - Pair - 20mm Dog Holes, (4) Bench Dogs



Set it. Clamp it. Cut it.

NGX Clamp Edge™ Saw Guide

Break down boards and sheet material with professional-level accuracy and speed.

SKU	Description
544024	24" NGX Clamp Edge™
544036	36" NGX Clamp Edge™
544050	50" NGX Clamp Edge™
544100	100" NGX Clamp Edge™ (50"+50")



Winner of the 2019 Pro Tool Innovation Award in the Track Rail category

Locking handle grabs work surfaces for a secure edge that won't budge

Clamp moves with handle for easy adjustability

Made of heavy-gauge, extruded aluminum for extreme durability

UP TO 100"

NGX Clamp Edge™ Extension

Cut material of any size by attaching a NGX Clamp Edge™ extension to your saw guide.

SKU	Description
544035	24" Extension with Connectors
544060	50" Extension with Connectors



NGX Saw Plate and Non-Chip Strip

Ensures every cut is straight and clean—no more wavy lines or tear-out.

NGX



NGX T-Square Attachment

Squares the NGX to your board for table saw-like accuracy every time.

NGX



Track Clamps

Easily make angled cuts with the NGX and WTX Clamp Edge™ system.

NGX WTX

Available NGX Kits

SKU	Description
544051K	BORA 50" NGX Clamp Edge & Deluxe Saw Guide Kit
544101K	BORA 100" NGX Clamp Edge, Saw Guide & Non-Chip Strip
544300	BORA 4pc NGX Compact Set – 24" Clamp Edge, 25" Ext., Rip Handle, Saw Plate
544500	BORA 5pc NGX Deluxe Set – 50", 50" Ext., Saw Plate, Non-Chip Strip, Track Clamps
544600K	BORA 6pc NGX Premier Set – 50", 50" Ext., Saw Plate, NCS, Track Clamps, T-Head

Get track saw-like results with your circular saw.



Say goodbye to wavy, crooked cuts with the NGX Clamp Edge™ Saw Guide System.

Cutting a straight line on a large piece of sheet material? Your life just got a whole lot easier.

NGX Clamp Edge™ Saw Guide

Easiest way to cut straight lines, eliminate waste, and produce more professional projects.

SKU	Description
546024	24" NGX Clamp Edge™
546036	36" NGX Clamp Edge™
546050	48" NGX Clamp Edge™
546100	96" NGX Clamp Edge™

Ruled extrusion for quick accurate measurements

Made of heavy-gauge, extruded aluminum for extreme durability

Quick Lock Lever for fast secure clamping

Quick Connect Mechanism to easily attach extension

UP TO 100"

NGX Clamp Edge™ Extension

Cut material of any size by attaching a WTX Clamp Edge™ extension to your saw guide.

SKU	Description
542035	24" Extension with Connectors
542060	50" Extension with Connectors



NEW!



NGX Saw Plate RT NGX WTX
546001

Tool-free mounting that is adjustable to fit most all circular saws



Router Guide NGX WTX
542005

Get straight, accurate dados, rabbets, and mortises every time.



Jig Saw Guide NGX WTX
542009

Easiest way to maintain control of your jig saw.

NEW!



Rip Guide
546400

The all-new BORA® NGX RIP Guide makes it quick and easy to accurately rip sheet goods down to size. Whether you need to make one, or multiple cuts, the durable aluminum twin rail design prevents racking and misalignment, while the oversized ergonomic handle provides ultimate control.

BORA
MEET
THE
MAKER

SARAH LISTI

Tool Girl's Garage



Meet the Maker is our series highlighting amazing professionals, woodworkers and DIYers! These are people who inspire and impress us daily with their creativity, dedication to their craft, and hard working nature.

We're catching up with Tool Girl's Garage — known in the real world as Sara Listi. Check out this quick snapshot of her life as a woodworker.

How did you get into woodworking?

I was so lucky to be raised around construction in general, not a lot of people have that experience and I know it inspired me a lot. Woodworking happened to be the discipline I enjoyed the most, so it was easy to focus in on it. Once I got a bit older it really transformed from a hobby to something I could truly make a living from.

What is one of the most valuable lessons you've learned during your woodworking journey?

Just do. Sometimes we make mistakes and it's easy to get caught up in that, but you just can't. Mistakes are how we learn – once you really accept that and treat those “whoops” moments as opportunities you can really grow. Your journey is going to be different than everyone else's, so you have to prepare for that too.

What did you do before going woodworking full-time?

I had a variety of jobs in my life! From a full-time student to a property manager, customer service and sales. My most important role is mom though! I think I took a little of all of those things into my business too.

What does woodworking mean to you? How does it add value to your life personally?

I really went headfirst into woodworking after I had kids. I think for me the combination of the structural components with the sensory experiences really made it something I enjoyed and found comfort in. I often say woodworking is as much therapy as it is a business.

What are your favorite BORA tools and why?

This is a tough one! I absolutely love my centipede, it's sort of the unsung hero in my shop because it's used on virtually every project, and I often use them out of the shop too! I love the NGX cutting systems as well, anytime you can make straight cuts, especially with a variety of tools is a win!

What is the best advice you can give to someone who would like to begin woodworking?

Just start. There just isn't a better way to go about it than to just go. Sometimes those first steps are super stressful, but they shouldn't be, keep it fun, leave room for mistakes, and enjoy the process!



Tell us more about your insights as a woman in the woodworking industry. How can other women interested in woodworking break through any barriers and feel confident in their skills and knowledge?

I was really lucky to have a Dad who really never let the fact that I was a girl dissuade him from including me. I don't think I ever really considered my skills all that different until I started sharing it online. Once that happens, things come into focus a bit. Anytime you're in an industry that you're a minority, it really is vital to grow a thick skin. No matter what, you're going to have people who like your work and people who don't. Oftentimes, the negativity has very little to do with you and much more to do with their own insecurities. I often hear about young girls who follow me or parents share that they love the example that I set for their young girls and women in the trades in general, that's wildly humbling. If anything, knowing that brings me much more awareness to what I share and how I handle mistakes too.

A lot of people use you as inspiration for projects, where do you get the inspiration for your next project?

I really try and look at what problems in a space need to be solved and create a design from that. I am a functional designer in that way, whether furniture or a renovation project, I try and really consider how to suit a need, then make it attractive second.

Outside of woodworking what are other hobbies you enjoy?

I really enjoy spending time with my family, gardening, playing with our two dogs- Miter and Chip, and I love to get lost in a good book!

What is the most used tool in your collection/ workshop?

I honestly would have to say I use my table saw or router the most, and of course the accessories that go along with those tools too!

You've had experience in television and entertainment. What have been some of your favorite highlights on that side of the journey?

The great thing about working on TV projects is definitely the amazing people you meet along the way. Both the people I worked with on the show and the families we got to work with were just amazing. It was such a humbling experience to be involved in such a huge part of their lives, especially given the history of the homes we worked on!

What is your approach when you try a new skill or technique and find it more difficult than you originally thought it would be?

Most everything in life is harder than you “think” it'll be. I just always go into a new process leaving room for error and allot extra time to correct mistakes or do a process more than once. It sounds simple, but I struggled a lot early on in really practicing that. There's nothing worse than struggling to get something right and being on a deadline. That really compounds the problem for sure!



What is your all-time favorite project you have completed?

This is always so hard to answer! The long and short of it is, almost every project holds a special place in my heart. A few that stand out woodworking-wise is definitely the massive 9-foot dresser I built, it's navy with gold hardware, walnut wood, and brass dowels, it was a total stunner to put together! Another is the pecan coffee table and bench. They're very modern and streamlined, and pecan is a wood that is so often underutilized!

Portacube STR Miter Saw Workstation
PM-8000

Functions as miter saw stand and workstation. Rotate the table top 360° to use your miter saw and flip it back to put it away.

Expands to provide up to 7 ft. (2.1m) of working space

Convenient handle for easy transport

Fits any miter saw up to 26.5" wide

10-inch (25.4 cm) easy-roll wheels

Great for small work spaces

360°

**Portable Folding Miter Saw Stand**
PM-4000

Contractor-grade portable miter saw stand made for the toughest job site

MEASURING AND MARKING

**MiteriX Angle Duplicator**
530401

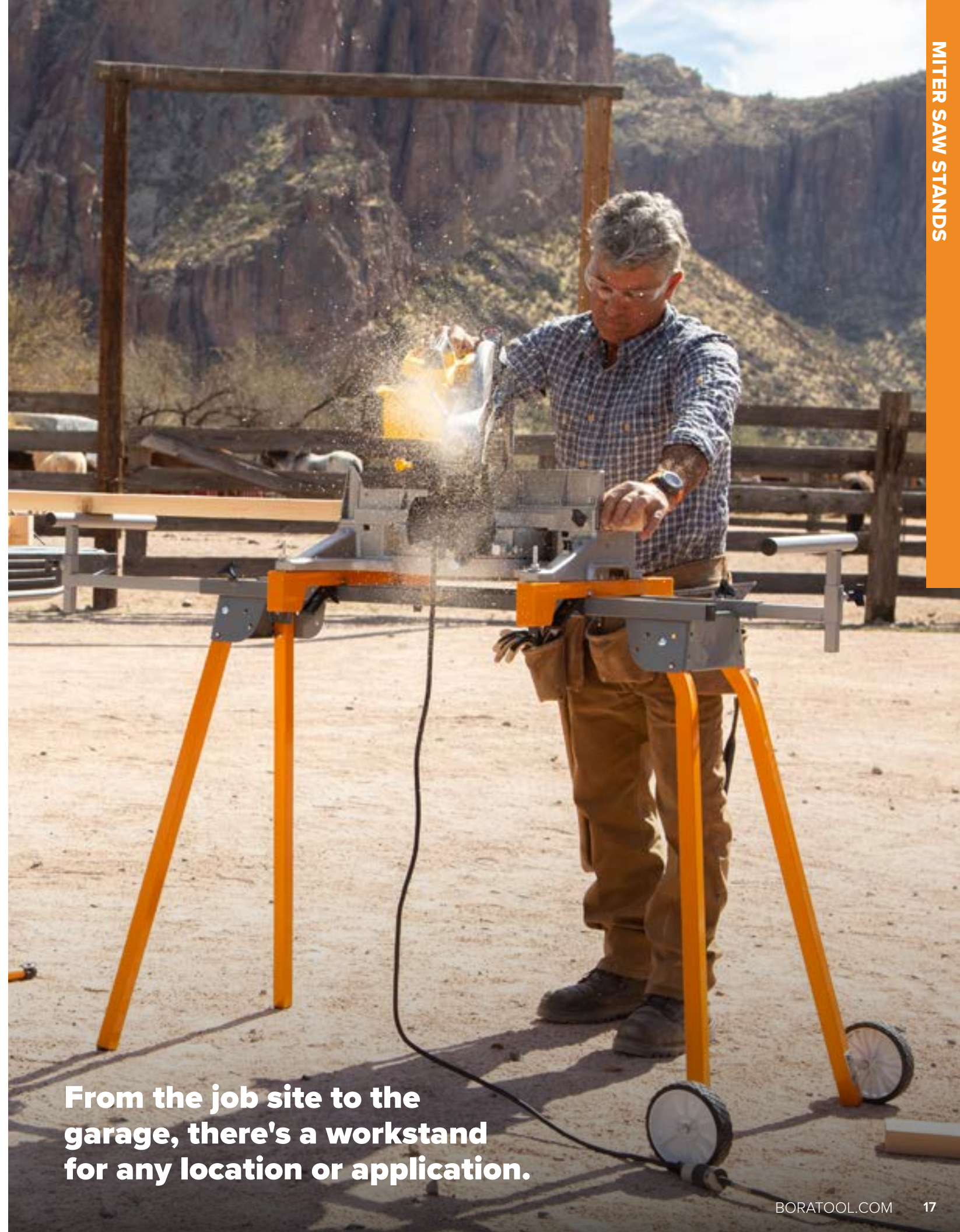
Perfect miters every time. Match any inside or outside angle in three simple steps.

**MiteriX Compact**
530402

Get perfect miters every time in three simple steps. Compact size to fit in your toolbelt

**QuickCut™ Circular Saw Cutting Guide**
530416

Versatile, easy-to-use handheld cutting guide for measuring and marking.



From the job site to the garage, there's a workstand for any location or application.



Wood Rack

Ideal for workshops, sheds, garages, or any area where long items need to be stored neatly. 110 lbs (50kg) weight capacity per level. (660/440 lbs total.)

SKU	Description
PBR-001	6 Tier Wood Rack – Orange/Gray
PBR-006B	6 Tier Wood Rack – Gray/Black
PBR-0620	6 Tier Wood Rack – Gray/White
PBR-004	4 Tier Wood Rack – Orange/Gray
PBR-004B	4 Tier Wood Rack – Gray/Black
PBR-0420	4 Tier Wood Rack – Gray/White



Conveyor Roller
PM-2700

Versatile equipment that functions as a portable outfeed table or dolly.



Pedestal Roller
PM-5090

Provides stable outfeed support and freedom of movement when using a table saw. 150 lbs. (68kg) weight capacity.



Tri-Function Pedestal Roller
PM-5093

Offers 3 kinds of support as a portable outfeed table. 150 lbs. (68kg) weight capacity.



The largest and most powerful router motor on the market.



3.25HP Variable Speed Router Motor
PM-6200

The 3.25hp Router Motor delivers the performance you need to get the job done. Whether you're shaping edges, cutting dadoes or rabbets, or using it in the CNC machine, you'll still get the easy handling you need to create your best work.

1/8" Offset Collet Wrench 2-Pack
4028



Router Base
PM-6210



3.25HP Variable Speed Router Motor + Base
PM-6250



Next-Gen Panel Carrier
PM-1850

Large sheets and panels of wood are hard to grab and even harder to move across your workshop. Save time and effort (and your arms and back) with the PM-1850 Panel Carrier, perfectly designed to do the heavy lifting for you.



NEW!



Helps you easily move large sheets and panels — even full 4x8 sheets

Bottom lip can support 2-3 sheets of plywood at once



Functions as a panel dolly and table saw feed stand

7" Smooth-gliding wheels ensure easy transport



Parallel Clamp

Rigidly clamp down case goods and other woodworking projects with rock-solid stability.

SKU	Description
571118	18" Parallel Clamp
571124	24" Parallel Clamp
571131	31" Parallel Clamp
571140	40" Parallel Clamp
571150	50" Parallel Clamp

Sets

SKU	Description
571124T	BORA 24" Parallel Clamp, 2-Pack
571131T	BORA 31" Parallel Clamp, 2-Pack
571140T	BORA 40" Parallel Clamp, 2-Pack
571150T	BORA 50" Parallel Clamp, 2-Pack
571550I	BORA 4pc Parallel Clamp Set - Includes 2 x 24" + 2 x 31" Clamps



Mini Spring Clamps - 20-pc Set
540520

Fit where standard size clamps can't to ensure clamping power in small, tight spaces.



Corner Clamp
551025

Easiest way to ensure material is held together at a perfect 90-degree angle.



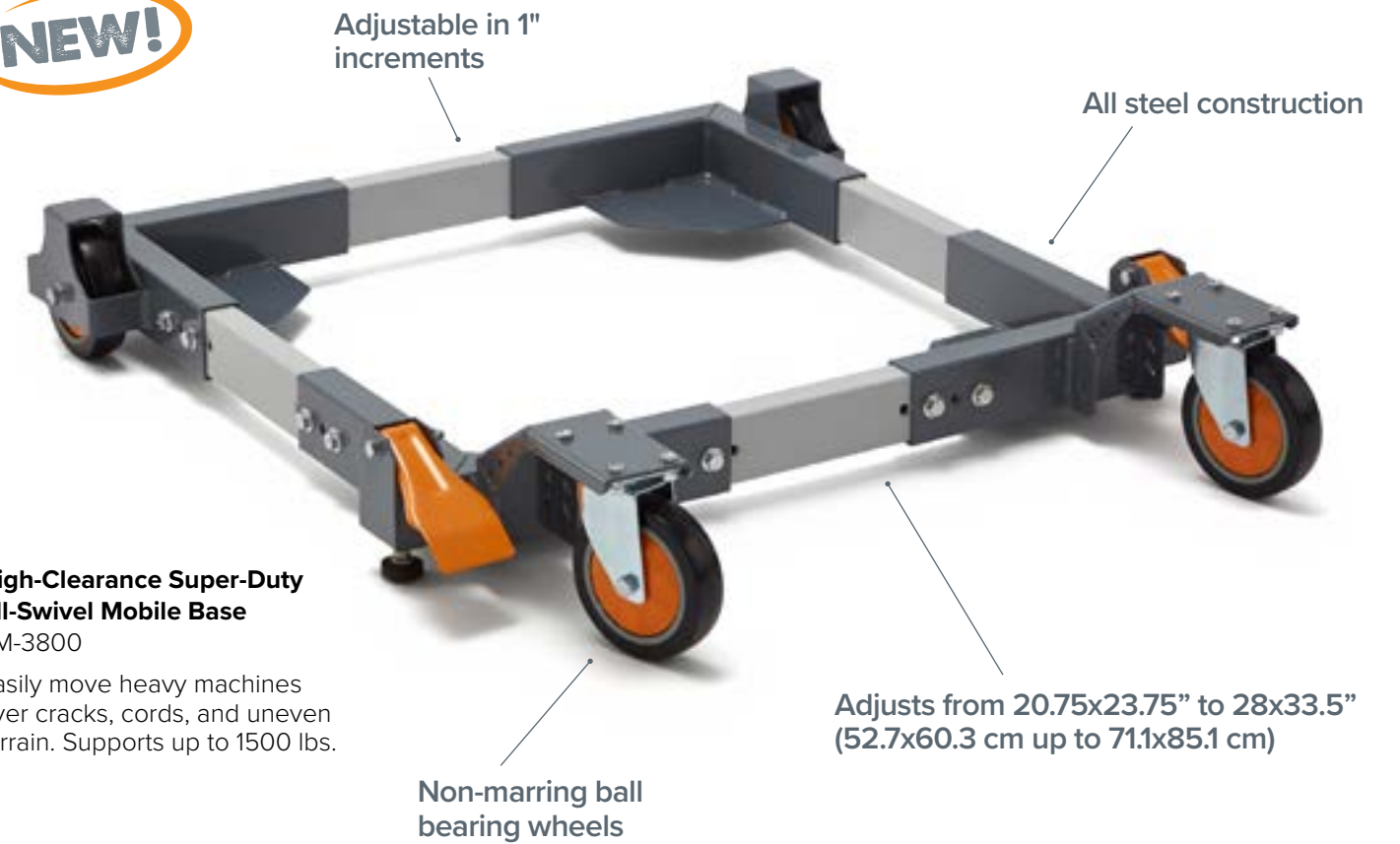
Drill Press Vise
551027

Securely grips material without marring it to prevent any slippage or movement.



Open up the workshop for better productivity, improved organization, and increased mobility.

NEW!



High-Clearance Super-Duty All-Swivel Mobile Base
PM-3800

Easily move heavy machines over cracks, cords, and uneven terrain. Supports up to 1500 lbs.

Adjustable in 1" increments

All steel construction

Adjusts from 20.75x23.75" to 28x33.5" (52.7x60.3 cm up to 71.1x85.1 cm)

Non-marring ball bearing wheels



Workbench Caster Kit
PM-950

Heavy-duty brackets and rock-solid foot levers help mobilize your workbench.



Customizable Mobile Base
PM-1100

Mobilize machines with non-traditional dimensions. Supports up to 400 lbs.



Mobile Base Extension Rail Kit
BK1218

Expand PM-1000 and PM-2500 to accommodate larger machines



Mobile Base T-Extension
PM-3245

Expand existing PM-3500 or PM-3550 mobile base to accommodate 30-53" fence systems.



Mobile Base Extension Rails
PM-3036

Expand PM-3500, 3550, 3800 with heavy-duty extension rails.



Universal Mobile Base
PM-1000

Make the most of small shop space. Supports machines up to 400 lbs.



Universal Mobile Base
PM-1050

Make your machines mobile. Supports machines up to 400 lbs.



Heavy-Duty Adjustable Mobile Base
PM-2500

The most popular BORA mobile base. Supports machines up to 650 lbs.



All Swivel Mobile Base
PM-2550

The universal shop workhorse. Supports machines up to 650 lbs.



Super-Duty Mobile Base
PM-3500

Move even the heaviest equipment at the touch of a finger. Supports up to 1500 lbs.



Super-Duty All-Swivel Mobile Base
PM-3550

Four omni-directional wheels make it easy to move any equipment. Supports up to 1500 lbs.



BORA

BORA Tool
1161 Rankin Drive
Troy, MI 48083
info@affinitytool.com
(248) 588-0395
BoraTool.com



Sign up now and join our Community of hardcore BORA enthusiasts!

Join the BORA Tool Community on social media



©2023 BORA Tool